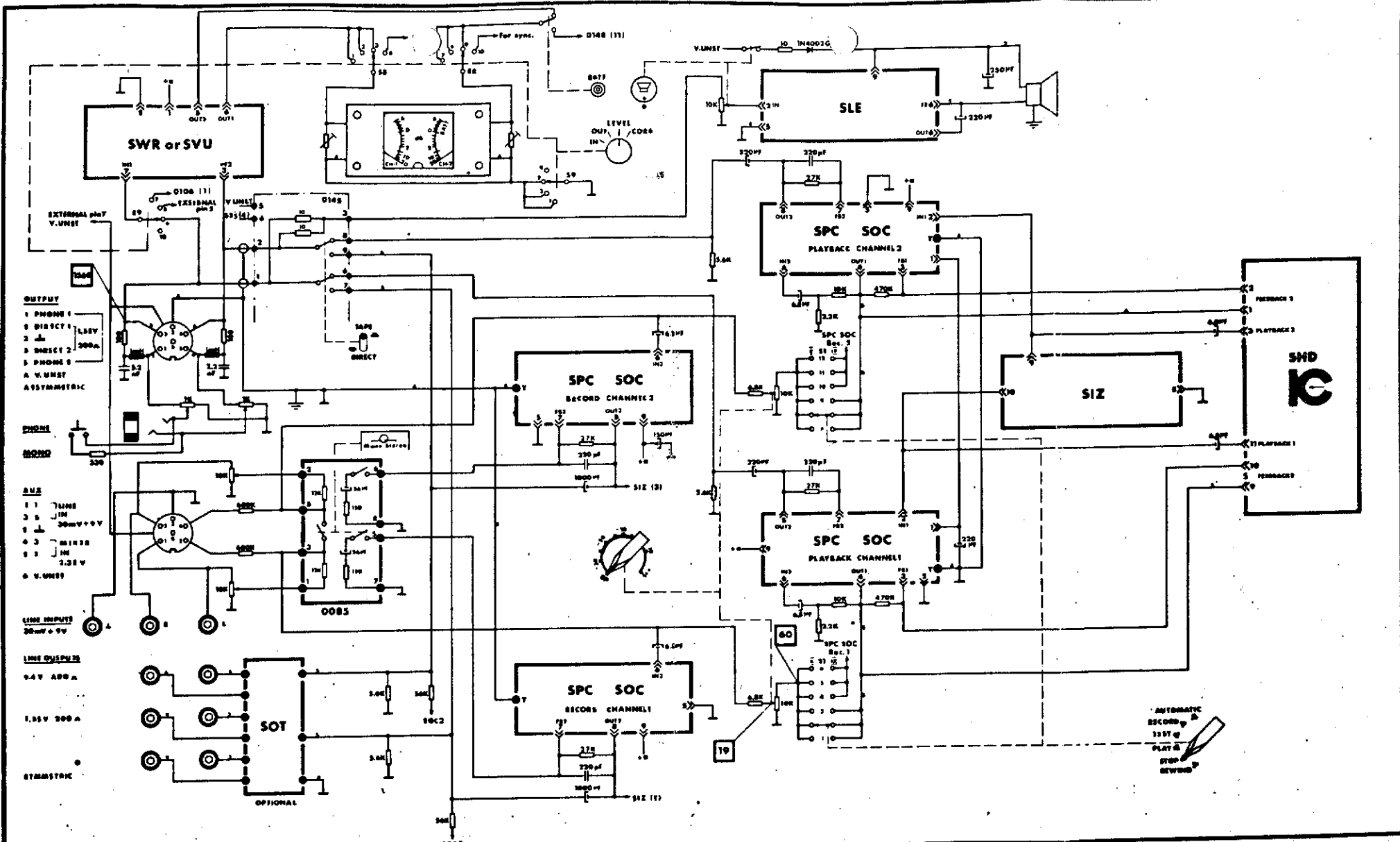
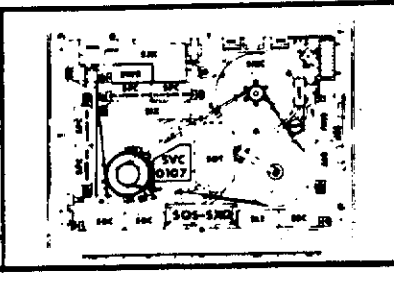


Black	8	SPC	Amplifier	SSP	Speed select. circuit	Level 0dB = 1.55V -0dBm		<b>SP8</b> <b>Record circuit</b>	Professional Audio and Data Equipments 2068 Hautrive Switzerland
Brown	1	SOC	Aux. gain central	SJK	Input circuit	Reference frequency = 1kc/s			
Red	2	SLE	Speaker amplifier	SOT	Sym. output transformer	Min. bat. tension = 15V		<b>SP8</b> <b>Record circuit</b>	Professional Audio and Data Equipments 2068 Hautrive Switzerland
Orange	3	SVC	Voltage stabiliser	SMC	Motor circuit	Electrical ground			
Green	4	SYF	Motor servo	0092	Light circuit	Mechanical ground		<b>SP8</b> <b>Record circuit</b>	Professional Audio and Data Equipments 2068 Hautrive Switzerland
Yellow	5	SBC	Bias oscillator	0079	Call motor circuit	FB Feedback			
Blue	6	SMU	Motor drive	D107	Converter circuit	Test Voltage in AC mV		<b>SP8</b> <b>Record circuit</b>	Professional Audio and Data Equipments 2068 Hautrive Switzerland
Purple	7	SQS	Synchronizer	0085	Mono-stereo commutation circuit				
Grey	8	SWR	Modulometer ampl.	SVC 0107	Converter 48V				
White	9	SVU	VU-meter amplifier						
		SHD	Need assembly						
		SIZ	Filter						
<b>COLOUR CODE</b>		<b>MODULES</b>		<b>PRINTED CIRCUITS</b>		<b>GENERAL</b>			

64.03.0018.1.5



COLOUR CODE	MODULES	PRINTED CIRCUITS	GENERAL
Black	0 SPC Amplifier	SSP Speed select circuit	Level 0 dB = 1.55 V +6dBm
Brown	1 SOC Auto. gain control	SJK Input circuit	Reference frequency = 1kc/s
Red	2 SLE Speaker amplifier	SOT Sym. output transformer	Min. bat. tension = 15 V
Red	3 SVV Voltage stabiliser	SMC Motor circuit	Electrical ground $\perp$
Orange	4 SYF Motor servo	0092 Light circuit	Mechanical ground $\frac{1}{2}$
Yellow	5 SBC Bias oscillator	0079 Coil motor circuit	FB Feedback
Green	6 SMU Motor drive	0017 Motor connection	$\square$ V Test voltage in AC mV
Blue	7 SQS Synchroniser	0085 Mono-stereo commutation circuit	Level 0 dB = 320 nWb/m (mono) and 510 nWb/m (stereo)
Purple	8 SWR Modulometer ampl.		
Purple	9 SVU YU-motor amplifier		
Grey	0 SND Head assembly		
White	1 SIZ Filter		

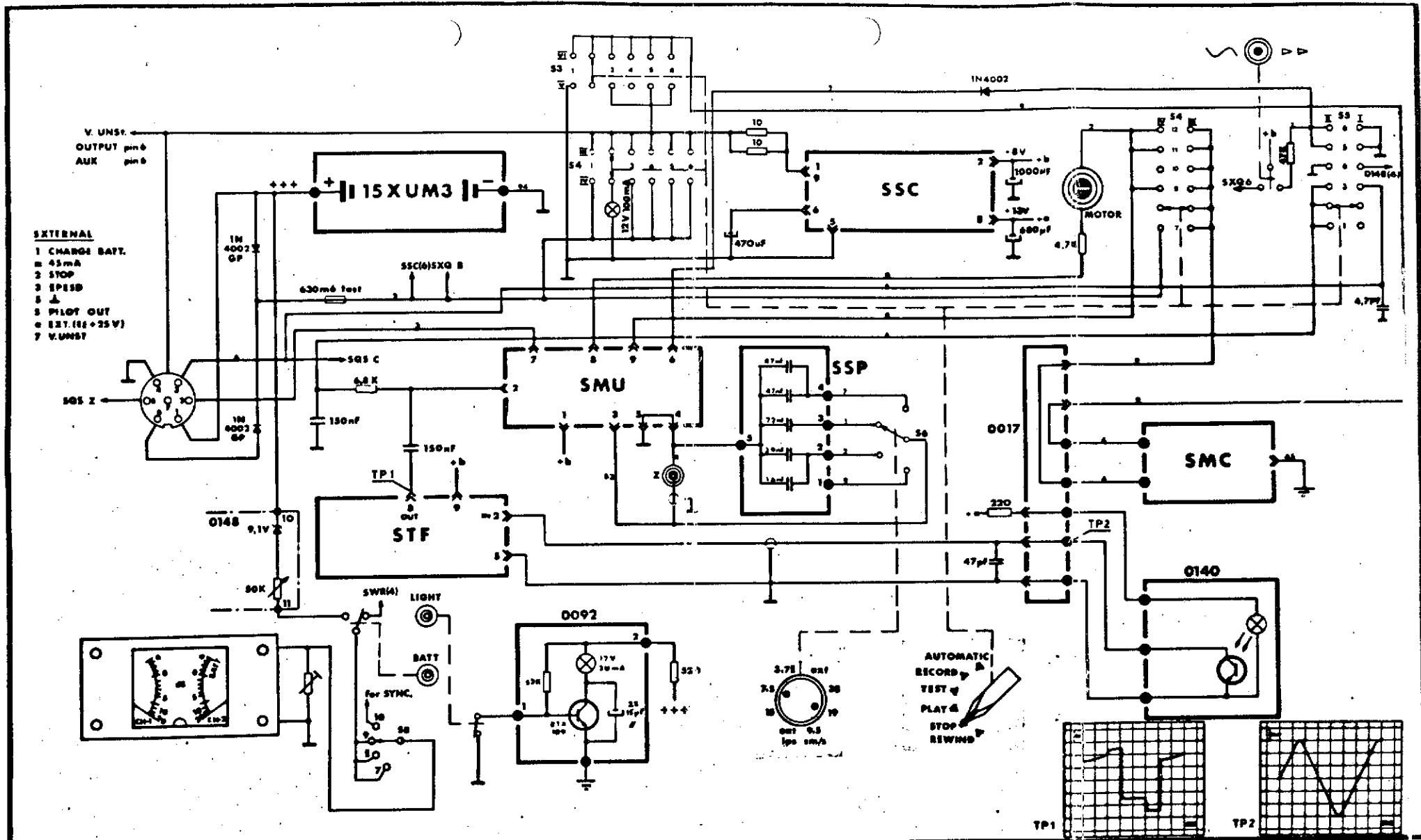


**SPB**  
Playback circuit

**STELLAVOX** Professional Audio and Data Equipments  
2068 Houterive Switzerland

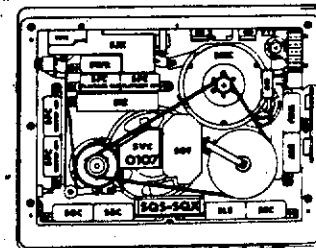
**64.03.0019.1.5**

6.5.1978



- EXTERNAL**
- 1 CHARGE BATT.
  - 2 STOP
  - 3 SPEED
  - 4 PILOT OUT
  - 5 EXT. (±25V)
  - 7 V. UNST.

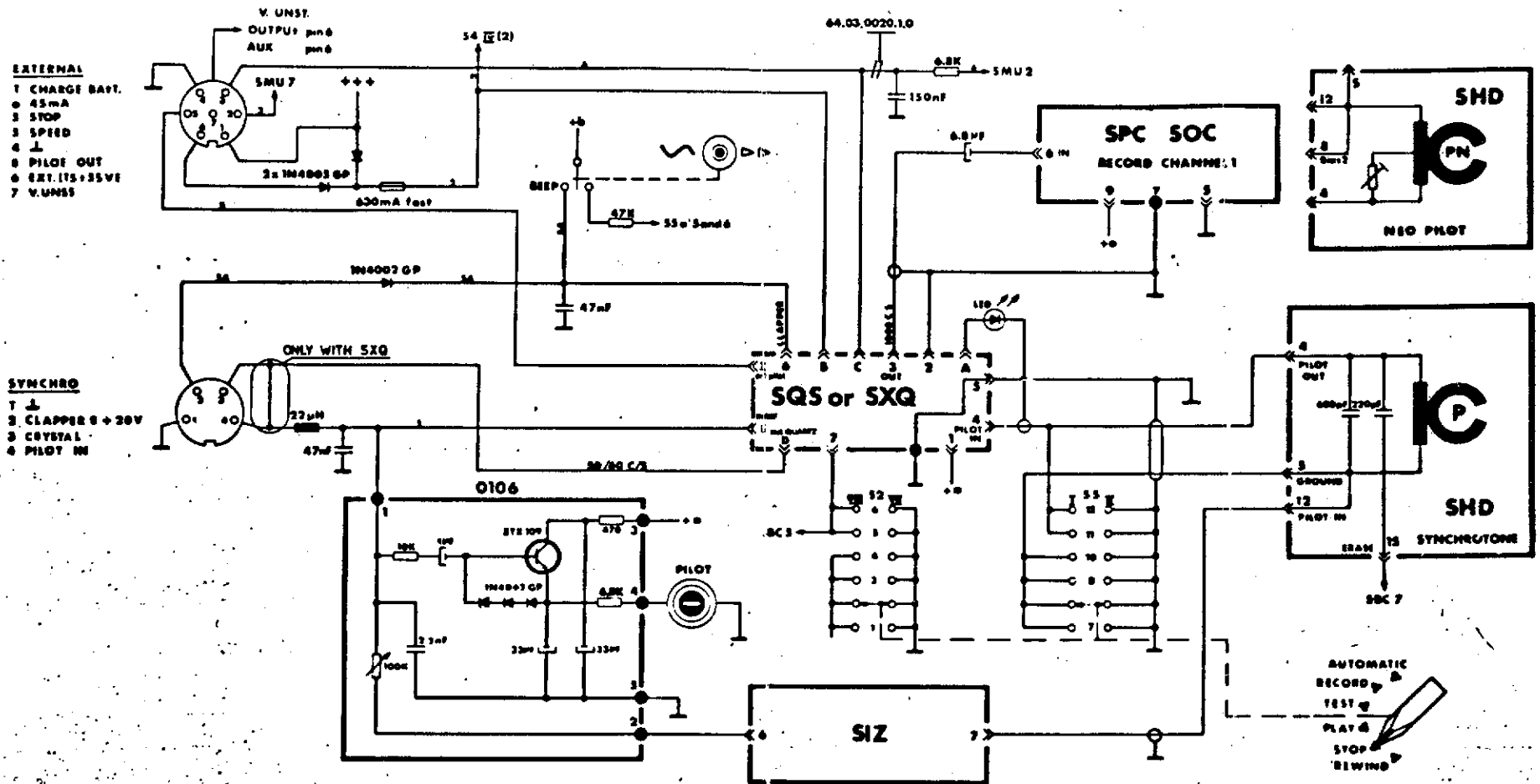
Black	0	SPC	Amplifier	SSP	Speed select circuit	Min. test tension	15V
Brown	1	SGC	Auto. gain control	SJE	Input circuit	Electrical ground	⊥
Red	2	SLI	Speaker amplifier	SOT	Sym. output transformer	Mechanical ground	⊕
Orange	3	SSC	Voltage stabilizer	SMU	Motor circuit		
Yellow	4	STF	Motor servo	0092	Light circuit		
Green	5	SMC	Base oscillator	0079	Call motor circuit		
Blue	6	SMU	Motor drive	0017	Motor connection		
Purple	7	SOI	Synthesizer				
Grey	8	SWR	Modulometer ampl.				
White	9	SVU	VU-meter amplifier				
		SND	Head assembly				
		SI2	Pillar				
		SR	Control. Sm. (50 or 40CB)				
<b>COLOUR CODE</b>		<b>MODULES</b>		<b>PRINTED CIRCUITS</b>		<b>GENERAL</b>	



S/P 3  
 Power supply and motor drive circuits

**STELLAVOX** Professional Audio and Data Equipment  
 3068 Neuchâtel Switzerland

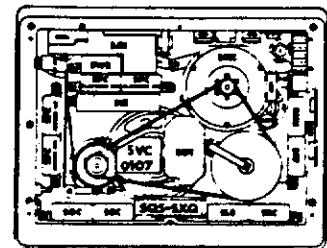
64.03.0016.1.5



- EXTERNAL**
- 1 CHARGE BATT.
  - 2 45mA
  - 3 STOP
  - 4 SPEED
  - 5 PILOT OUT
  - 6 EXT. LVS. 35V
  - 7 V. UNST.

- SYNCHRO**
- 1 CLAPPER
  - 2 CLAPPER + 20V
  - 3 CRYSTAL
  - 4 PILOT IN

COLOUR CODE	MODULES	PRINTED CIRCUITS	GENERAL
Black	0 SPC Amplifier	SSP Speed select circuit	Min. batt. tension 15V
Brown	1 SOC Auto. gain control	S1K Input circuit	Electrical ground $\perp$
Red	2 SLS Speaker amplifier	SOT Sym. output transformer	Mechanical ground $\perp$
Orange	3 SSC Voltage stabilizer	SMU Motor circuit	With SHD contacts A,B,C are not used
Yellow	4 STF Motor servo	0093 Light circuit	
Green	5 SBC Bias oscillator	0106 Pilot indicator circuit	
Blue	6 SMU Motor drive	0079 Cell motor circuit	
Purple	7 SWR Modulator ampli.	0017 Motor connection	
Grey	8 SHD Head assembly		
White	9 SIZ Filter		



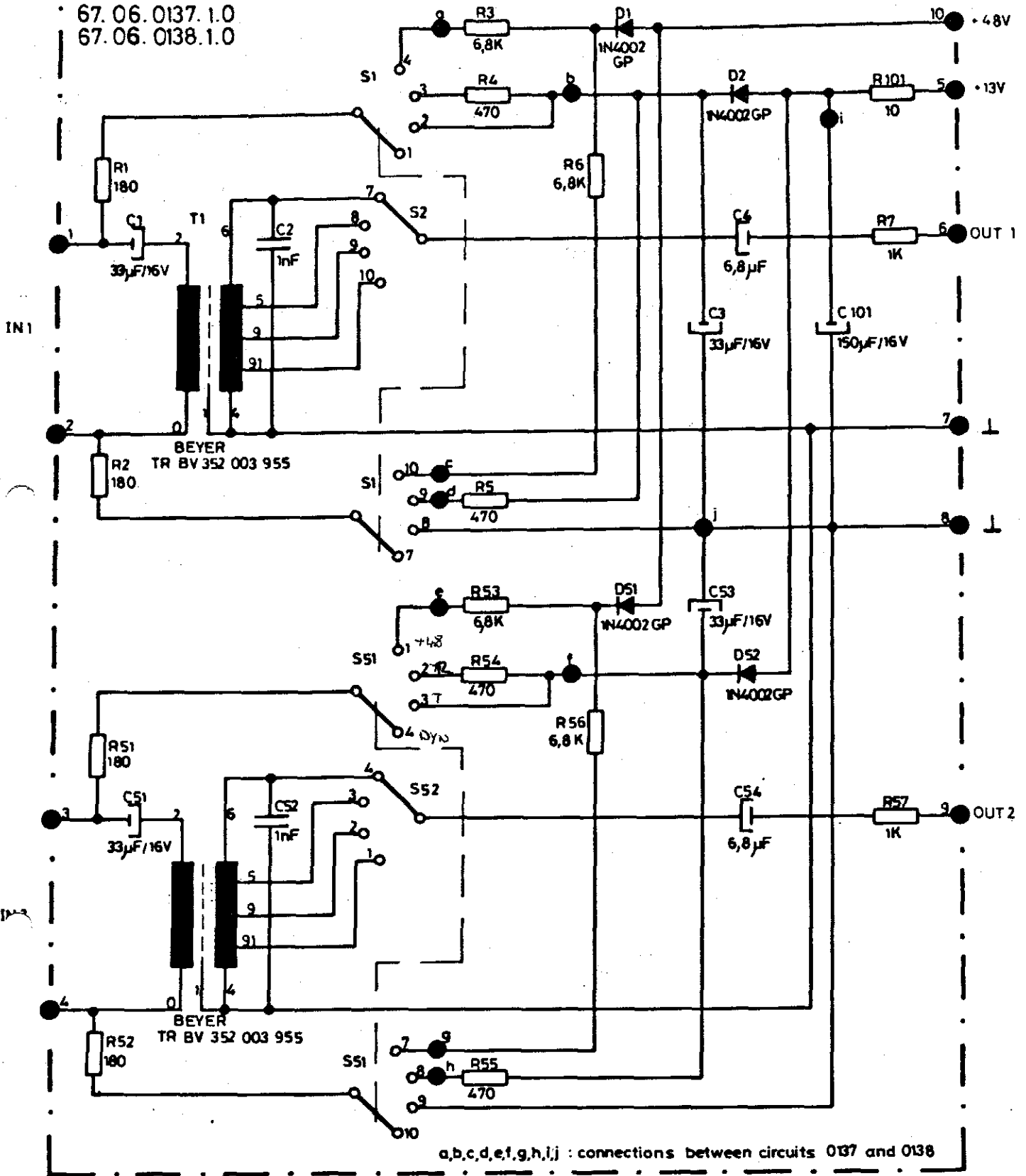
**SP8 Pilot circuit**

**STELLAVOX** Professional Audio and Data Equipments  
2088 Neuchâtel Switzerland

64.03.0017.1.5

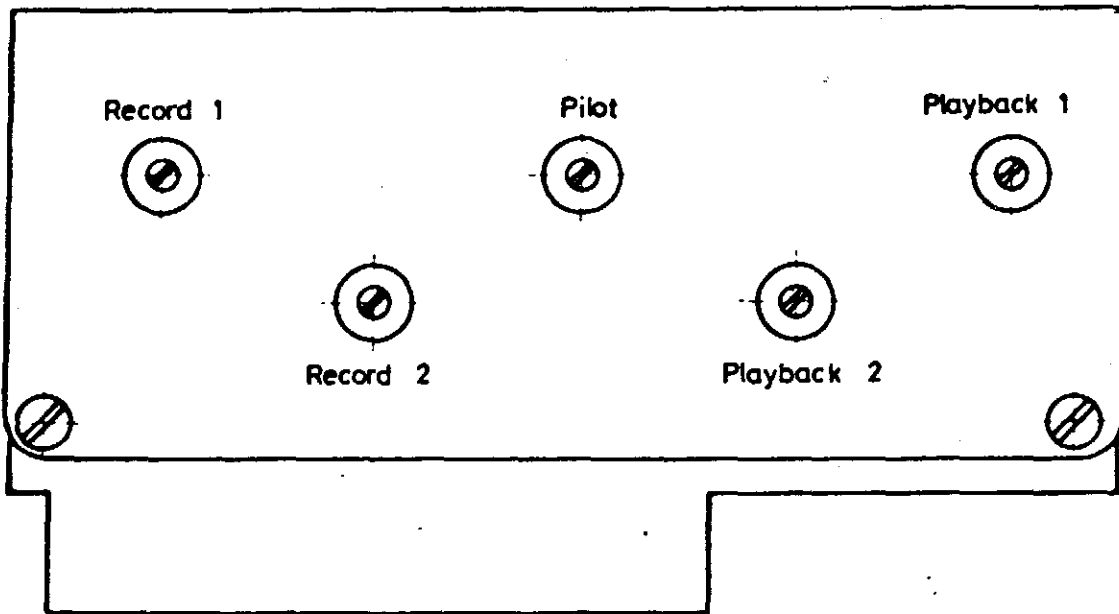
# SJK 0137 and 0138

67.06.0137.1.0  
67.06.0138.1.0

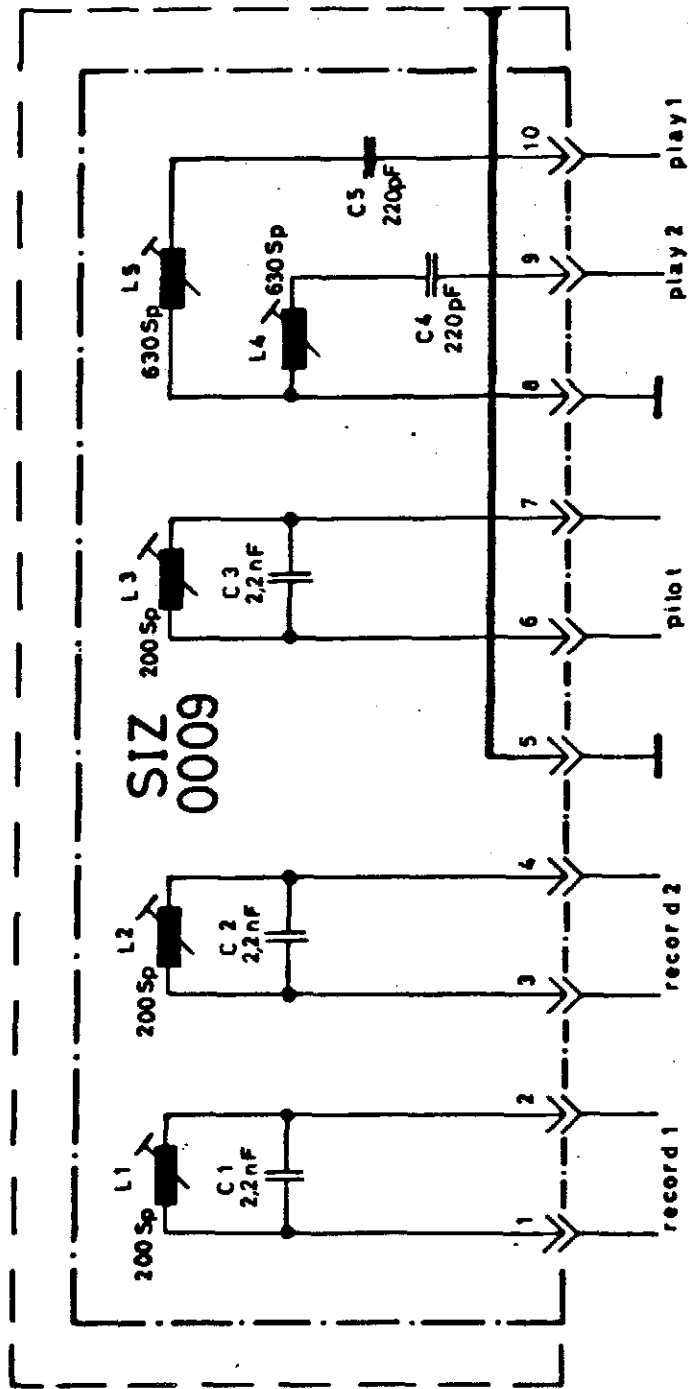


a,b,c,d,e,f,g,h,i,j : connections between circuits 0137 and 0138

Mat.	Traitement.	Cote sans tol. TG ± 0,1		
SJK D, T12, P12, P48 ATTENUATIONS : 0dB, -10dB, -20dB, -30dB		Echelle	Dessiné	26.1.78 C.F
			Contrôlé	
		App.	SP 8	
STELLAVOX		Professional Audio and Data Equipments 2068 Hauterive Switzerland		64.06. 0137 0138.1.0



at	Trattem.	Cote sans tol. TG ± 0.1		
Location of filters of module SIZ		Echelle	Dessiné	21.10.76
		2:1	Contrôle	D. DaSilva
			App.	
STELLAVOX	Professional Audio and Data Equipments 2068 Hauterive Switzerland	00.06.0003.1.0		



SIZ 8

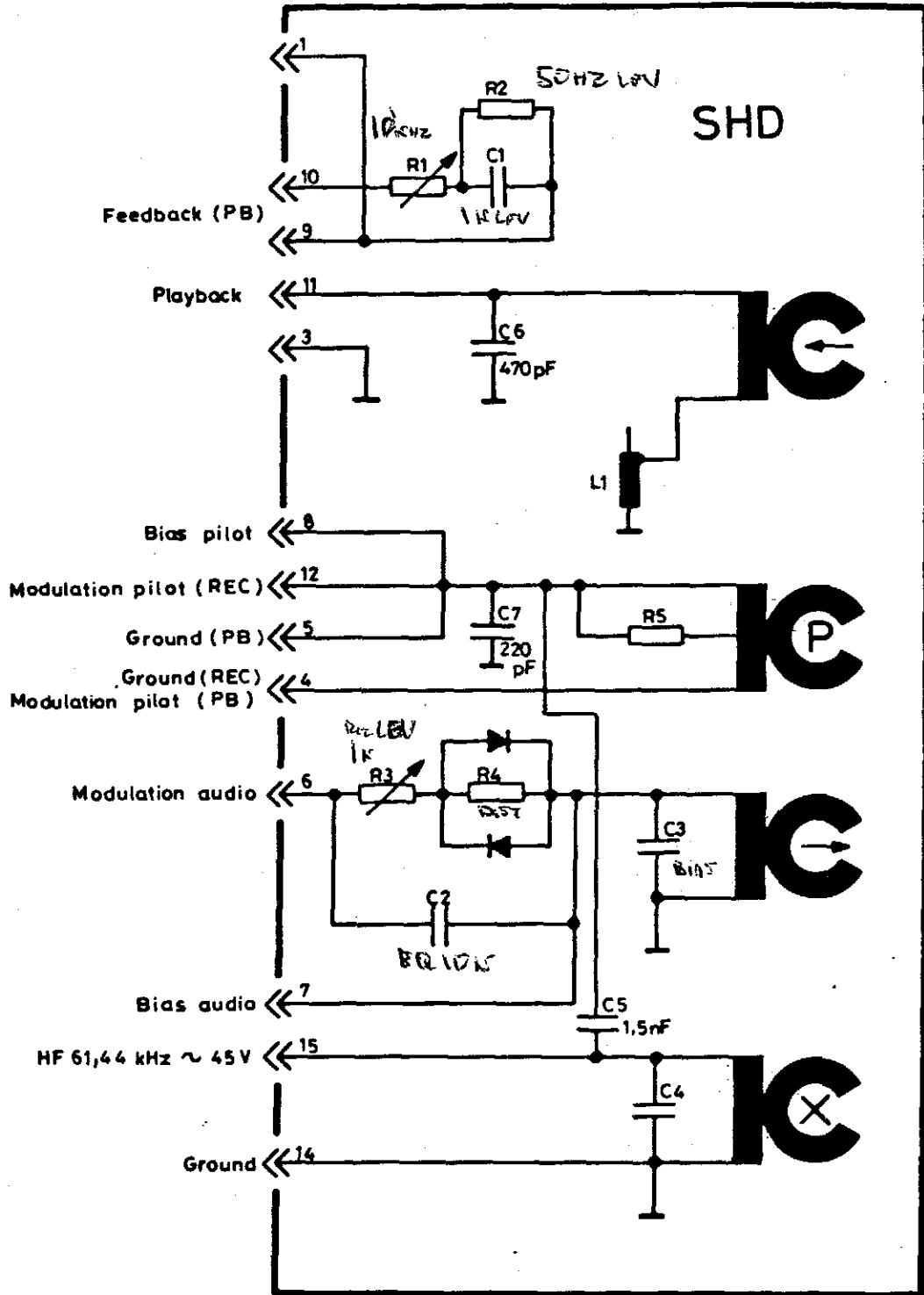
20.6.77

C.F

SP 8

STELLAVOX 2068 Hauterive Switzerland

64.06.0009.6.0



Mat.

Traitern.

Cote sans tol. TG ± 0.1

Mono-head - assembly diagram  
with built-in equalisation components

Echelle

Dessiné

2.2. 78

C.F

Contrôle

App.

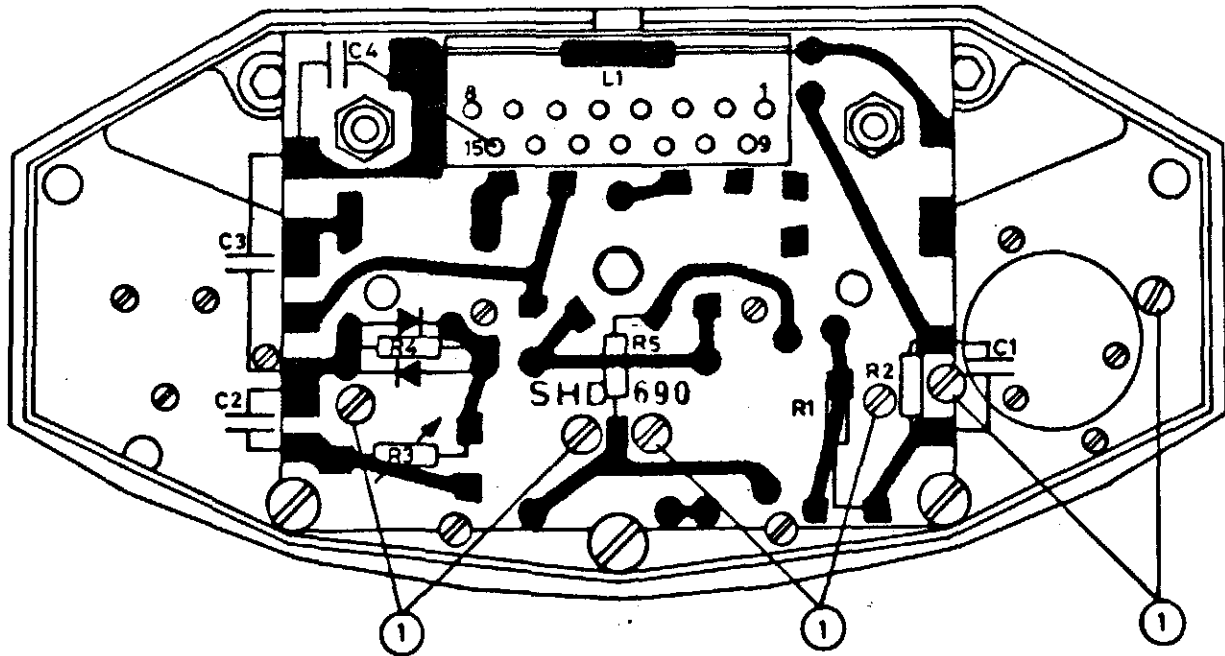
SP 8

STELLAVOX

Professional Audio and Data Equipments  
2068 Hauterive  
Switzerland

64.03.0023.1.0





**PLAYBACK**

C1 Level 1kC/S low speed

R1 Level 10kC/S low speed

R2 Level 50 C/S low speed

**RECORD**

R3 Level 1kC/S

C2 Level 10kC/S high speed

C3 Bias

R4 Compensation for minimum distortion

L1 Choke for compensation noise motor

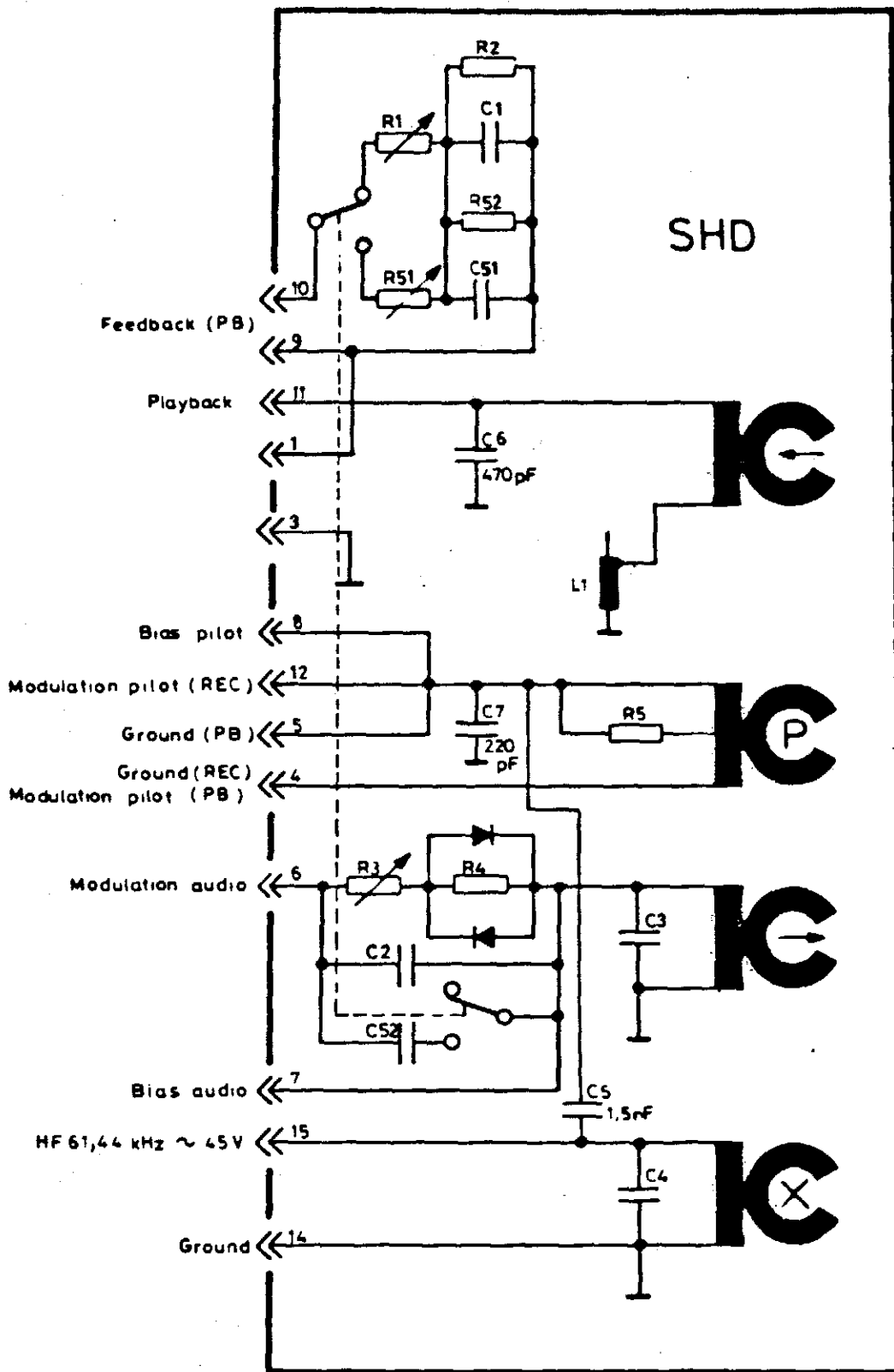
① screws for azimuth

C4 HF calibration (61,44 kC/S)

**PILOT**

R5 Symmetric neo-pilot head

Mat.	Traitern.	Cote sans tol. TG ± 0.1			
LOCATION OF SHD MONO		Echelle	Dessiné	7.7.82	
			Contrôlé		
			App.	SP7	SP8
STELLAVOX	Professional Audio and Data Equipments 2068 Hauterive Switzerland	00.06.0025.10			



Mat

Traitement

Cote sans tol TG ± 0.1

Mono 2 speeds head assembly diagram  
with built-in equalisation components

Echelle

Dessine

7.1.73

PT.

Contrôle

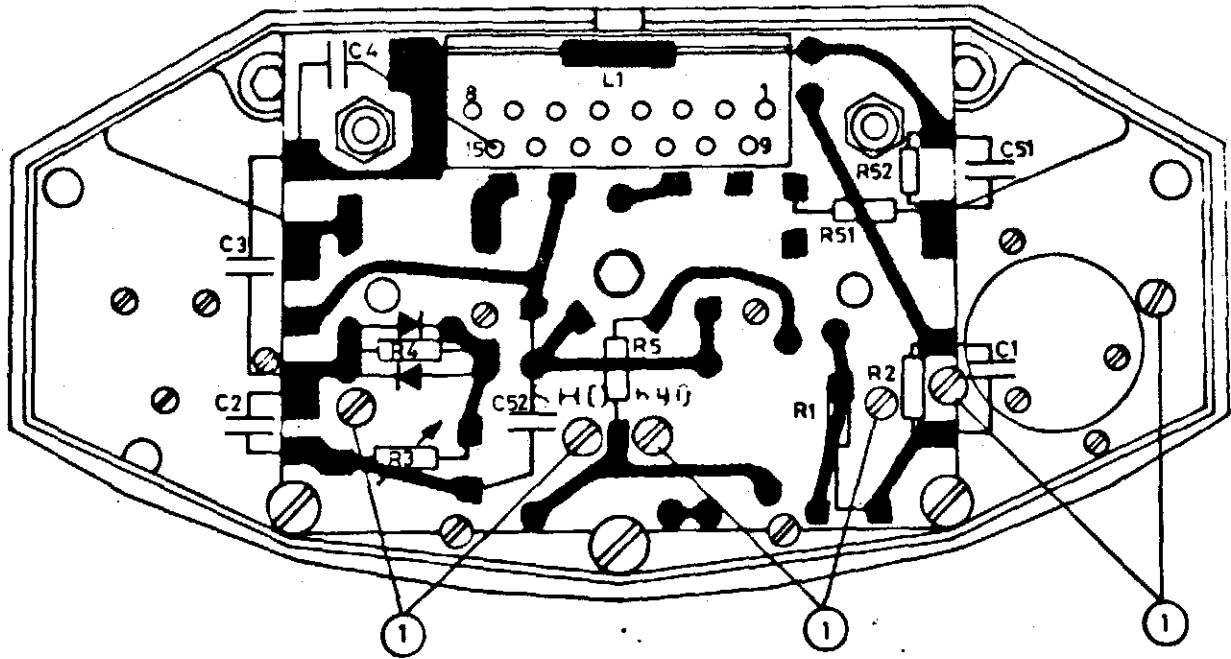
App

JFB

STELLAVOX

Professional Audio and Data Equipments  
2068 Hauterive  
Switzerland

64.03.0030.1.0



**PLAYBACK**

- C1 Level 1kC/S low speed
- C51 Level 1kC/S high speed
- R1 Level 10kC/S low speed
- R51 Level 10kC/S high speed
- R2 Level 50 C/S low speed
- R52 Level 50 C/S high speed

**RECORD**

- R3 Level 1kC/S
- C2 Level 10kC/S high speed
- C52 Level 10kC S low speed
- C3 Bias
- R4 Compensation for minimum distortion
- L1 Choke for compensation noise motor

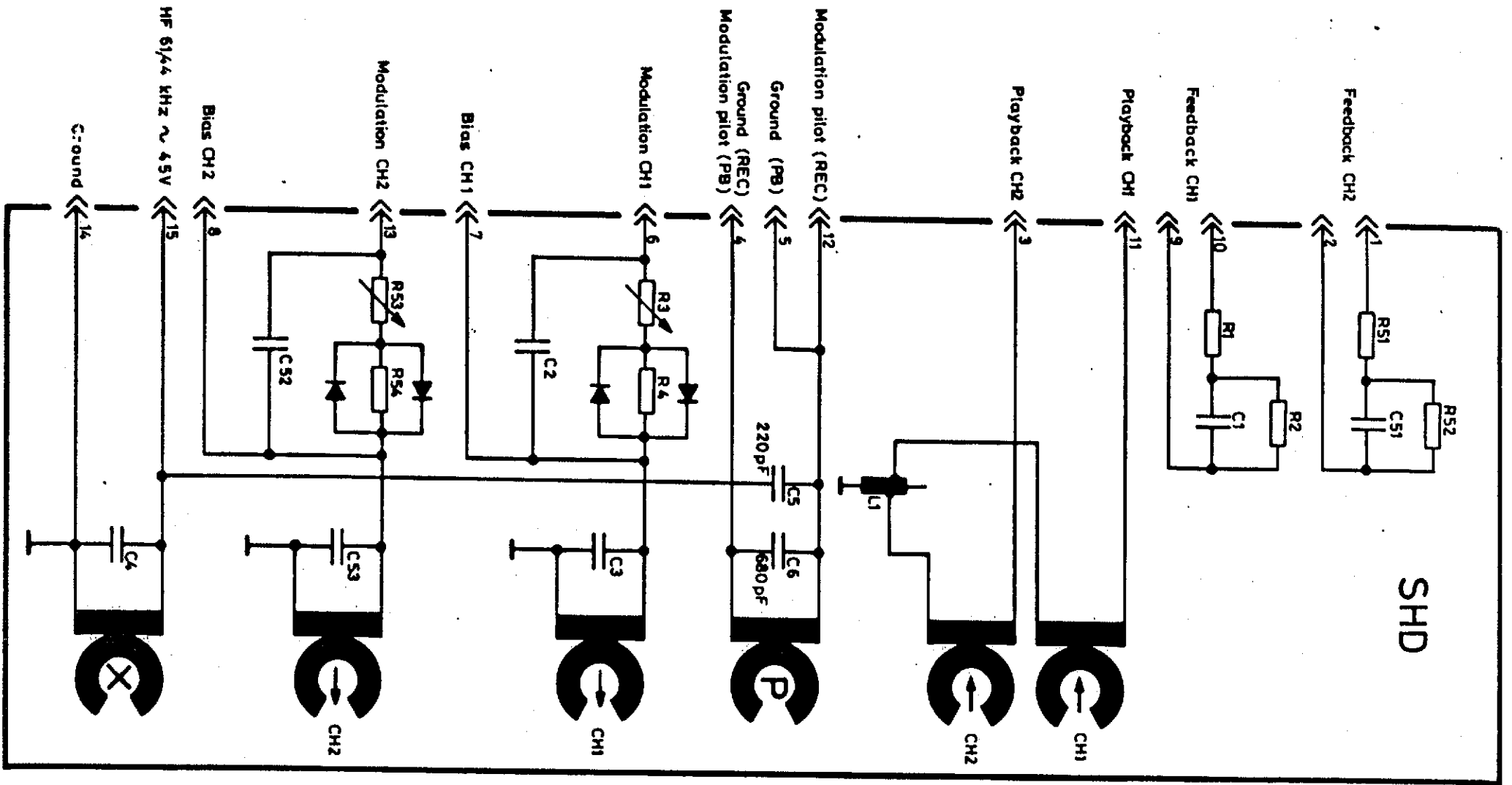
① screws for azimuth

C4 HF calibration (61,44 kC/S)

**PILOT**

R5 Symmetric neo-pilot head

Mat.	Traitement	Cote sans tol TG ± 0.1			
<h1>LOCATION OF SHD MONO 2 SPEEDS</h1>		Echelle	Dessine	5.177	CF
			Contrôle		
			App	SP7	SP8
	<b>Professional Audio and Data Equipments</b> 2068 Hauterive Switzerland	00.06.0006.1.0			



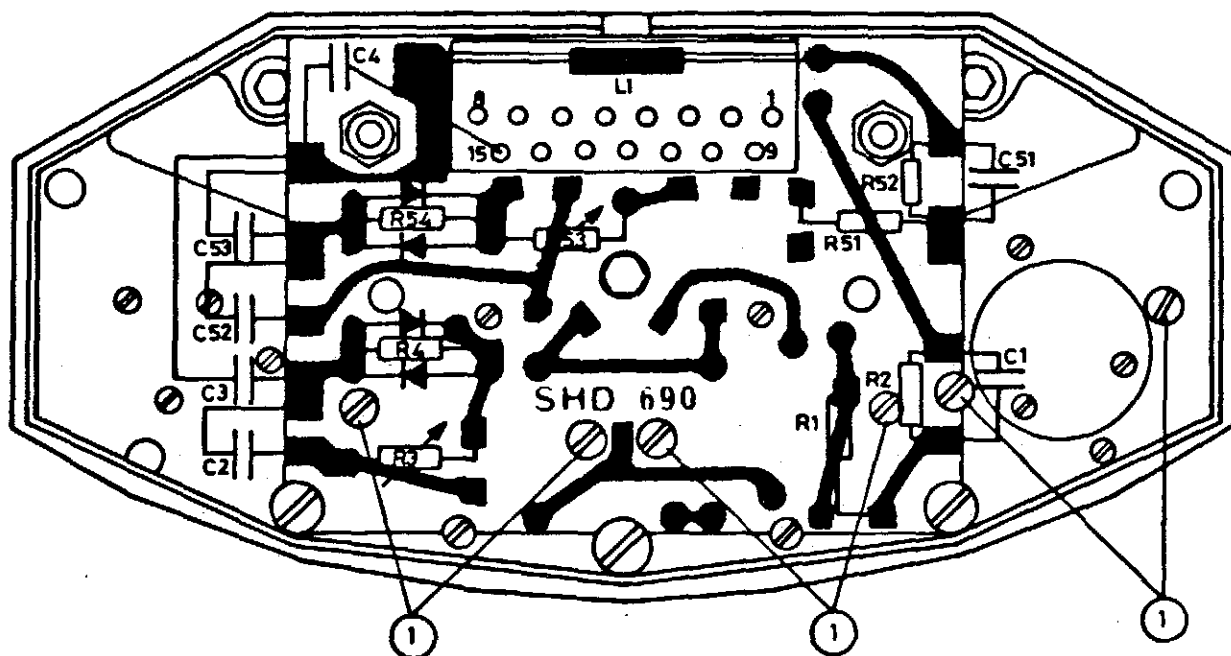
**Stereo - head - assembly diagram  
with built-in equalisation components**

Echelle	Dessine	1.2.78	C.F.
	Contrôle		
	App.	SP 8	

**STELLAVOX**

Professional Audio and Data Equipments  
2088 Hauterive  
Switzerland

64.03.0022.1.0



**PLAYBACK**

- C1 Level 1kC/S channel 1
- C51 Level 1kC/S channel 2
- R1 Level 10kC/S channel 1
- R51 Level 10kC/S channel 2
- R2 Level 50 C/S channel 1
- R52 Level 50 C/S channel 2

**RECORD**

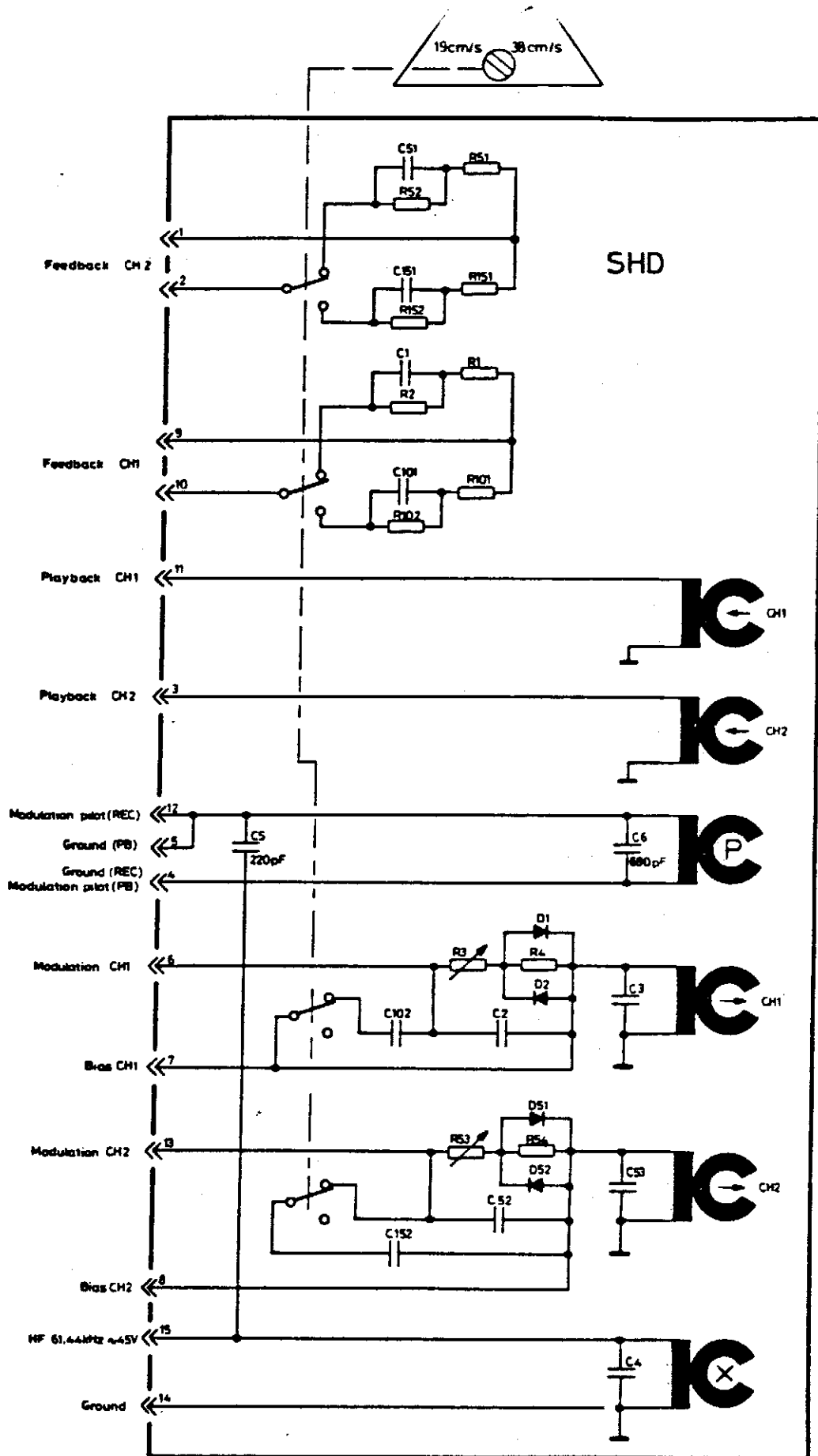
- R3 Level 1kC/S channel 1
- R53 Level 1kC/S channel 2
- C2 Level 10kC/S channel 1
- C52 Level 10kC/S channel 2
- C3 Bias channel 1
- C53 Bias channel 2
- R4 Compensation for minimum distortion channel 1
- R54 Compensation for minimum distortion channel 2

L1 Choke for compensation noise motor

① Screws for azimuth

C4 HF calibration (61,44kC/S)

at.	Traitement.	Cote sans tol. TG ± 0.1		
<h1>LOCATION OF SHD STEREO</h1>		Echelle	Dessiné	5.1.77 C.F.
			Contrôle	
		App.	SP7 SP8	
		<b>Professional Audio and Data Equipments</b> 2068 Hauterive Switzerland		<b>00.06.0005.1.0</b>



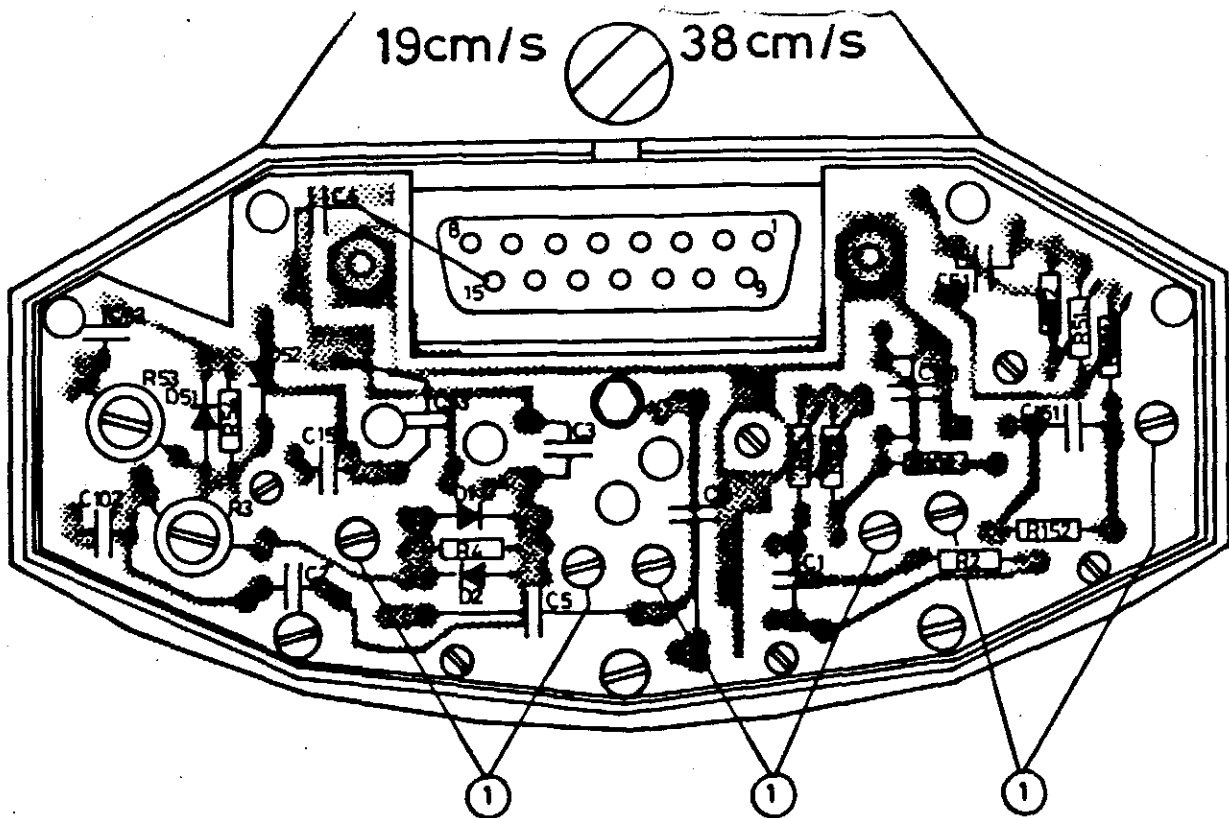
Stereo 2 speeds head-assembly diagram with build equalisation components

Maßstab Echelle	Gezeichnet Dessiné	26.9.78	CF
	Geprüft Contrôlé		
	Gelesen Vu		

STELLAVOX

Professional Audio and Data Equipments

61 02 0020 10



**PLAYBACK**

Level 1kC/S low speed  
 Level 1kC/S high speed  
 Level 10kC/S low speed  
 Level 10kC/S high speed  
 Level 50 C/S low speed  
 Level 50 C/S high speed

CH1	CH2
C1	C51
C101	C151
R1	R51
R101	R151
R2	R52
R102	R152

**RECORD (START ADJUSTEMENT AT HIGH SPEED.)**

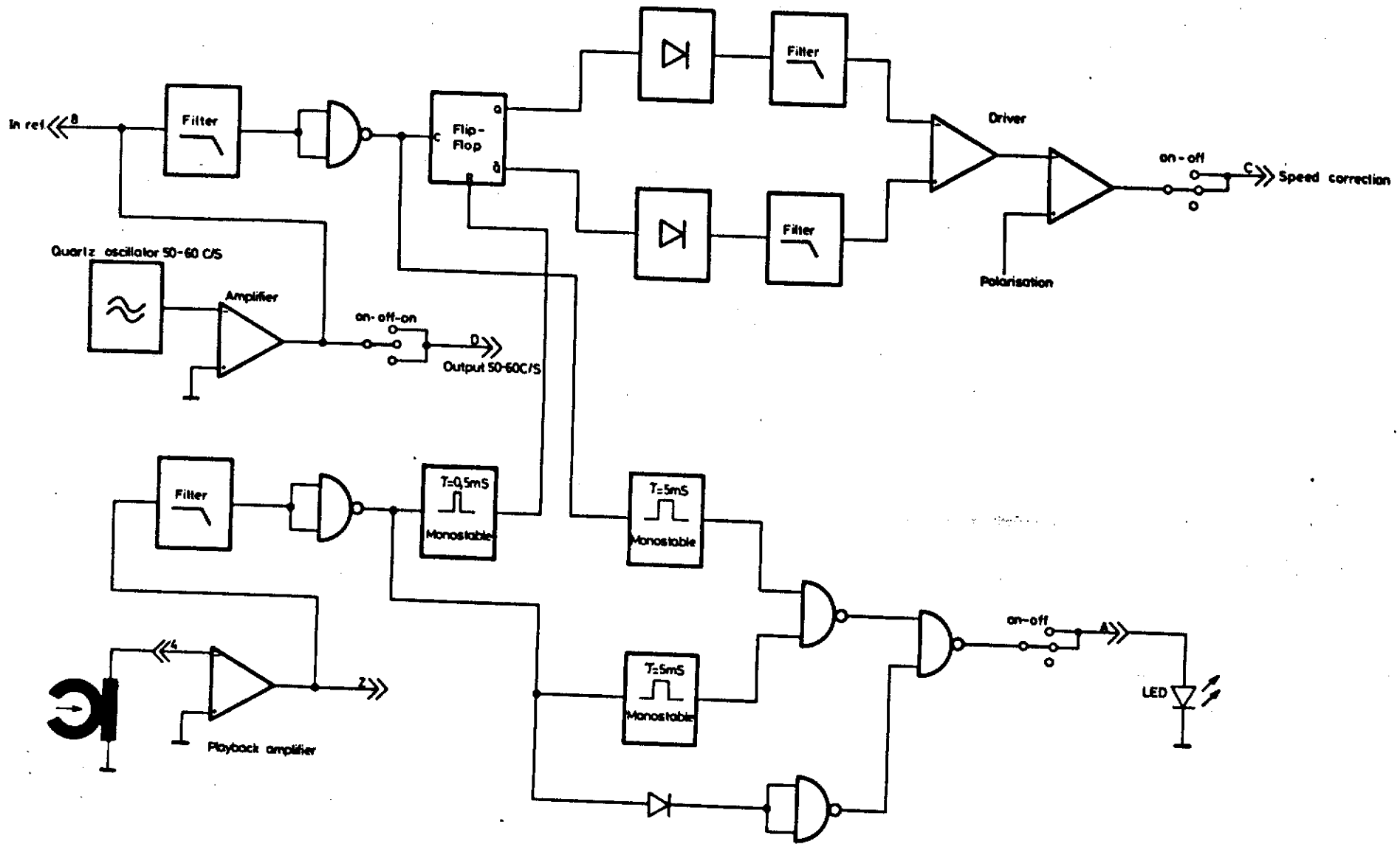
Level 1kC/S low speed  
 Level 10kC/S low speed  
 Level 10kC/S high speed  
 Compensation for minimum distortion  
 Bias

R3	R53
C102	C152
C2	C52
R4	R54
C3	C53

C4 HF calibration (61,44 kC/S)

① Screws for azimuth

Mat.	Traitement.	Cote sans tol. TG ± 0.1		
LOCATION OF SHD STEREO 2 SPEEDS		Echelle	Dessiné	17.3.81
			Contrôle	
			App.	SP 8
		00.06.0015.2.0		
STELLAVOX	Professional Audio and Data Equipments 2088 Hauteville Switzerland			



SQS SYNCHRONIZER  
PRINCIPAL DIAGRAM

Maßstab Schalt	Gesamtzeit	20.6.77	DF
	Gesamt Controll		
	Gesamt Vr		

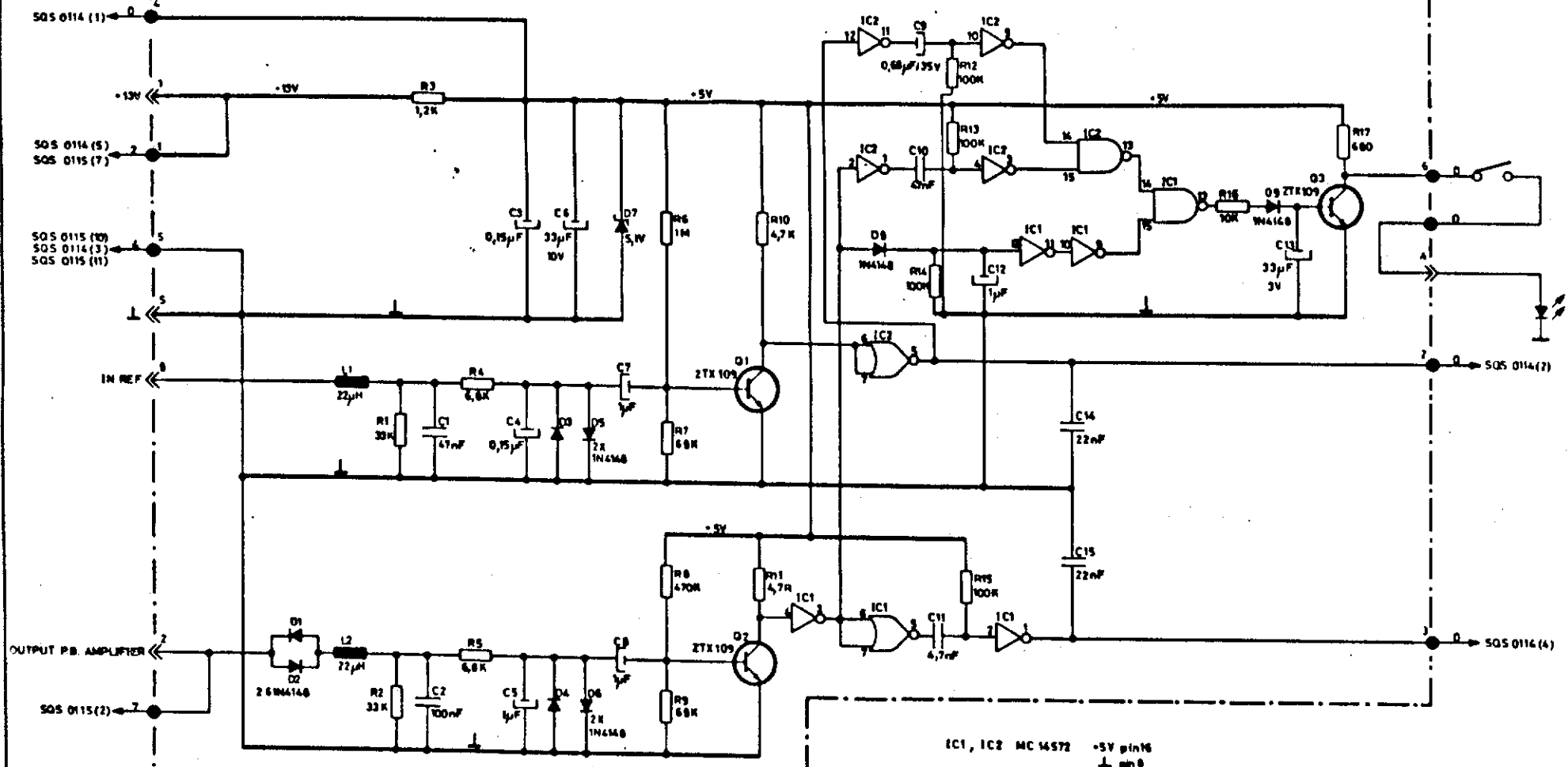
STELLAVOX

Professional Audio and Data Equipments  
2068 Neutering  
Switzerland

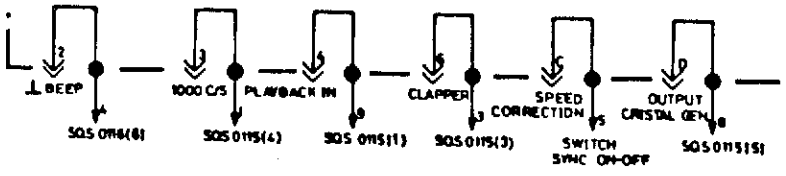
63.02.0022 1.0



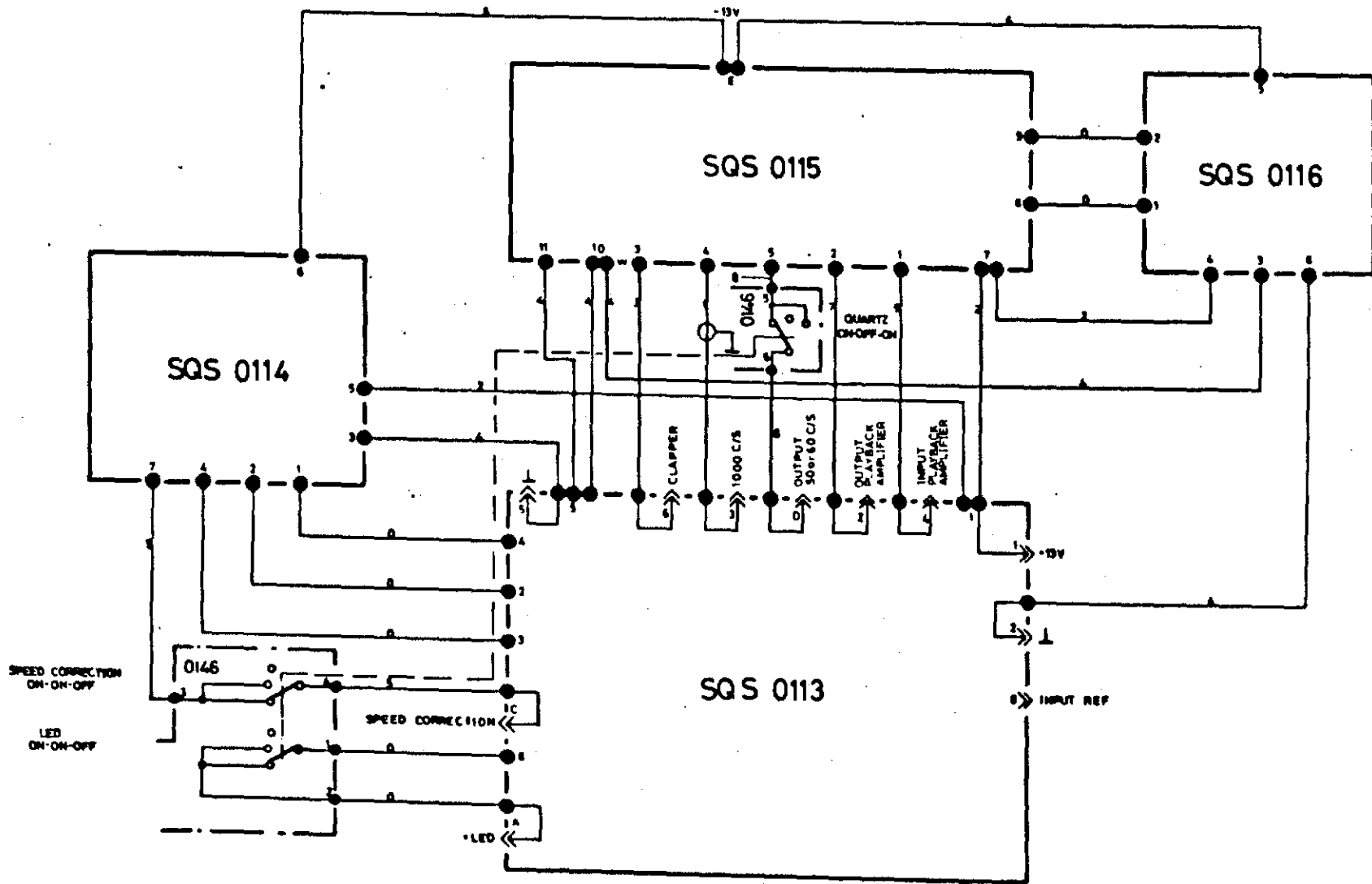
**SQS 0113**  
67.06.0113.1.0



IC1, IC2 MC 16572 -5V pin16  
⊥ pin8



<b>SQS 0113</b>		MoBeb Echelle	Gesetzlich Dessiné Gen-Br Contrôle	24.5.77	
<b>INPUT FILTERS + LOGIC FOR LED</b>					



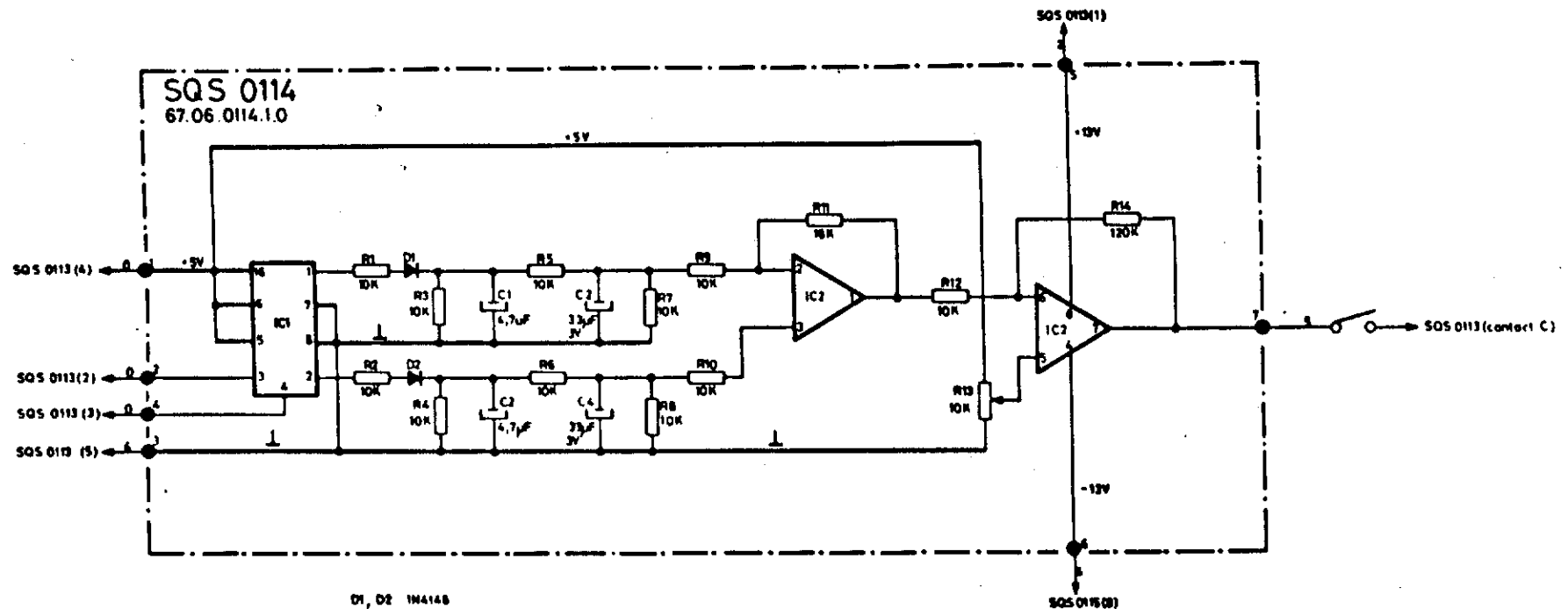
**SQS**  
**PRINTED CIRCUITS INTERCONNECTIONS**

No. Bestell Schaltz	Spezialher Ordnung - Gepäck Code	11 6 78	
Geschen Vu			

**STELLAVOX**

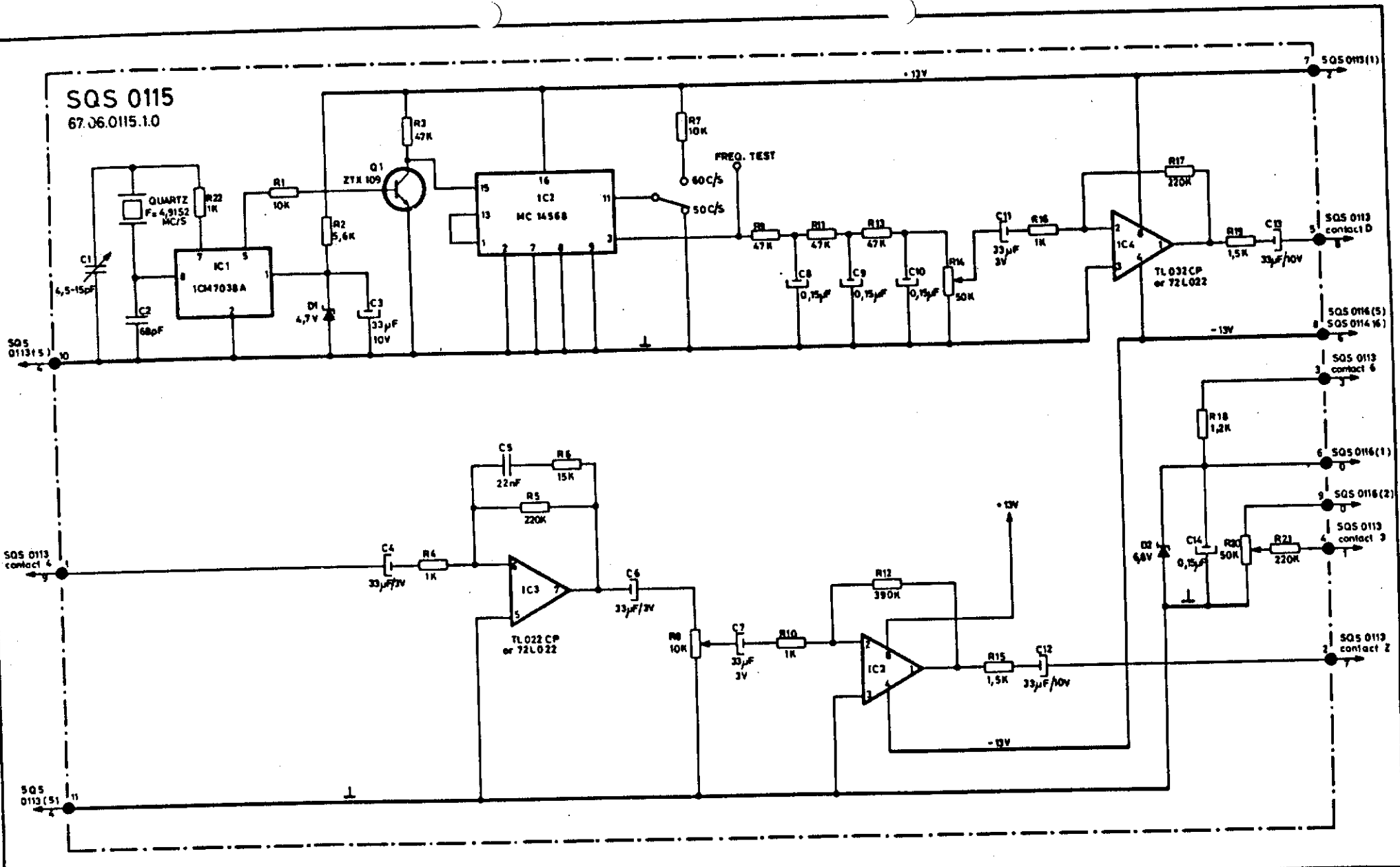
Professional Audio and Data Equipments  
 2088 Houterville  
 Switzerland

63.04.0022.3 0

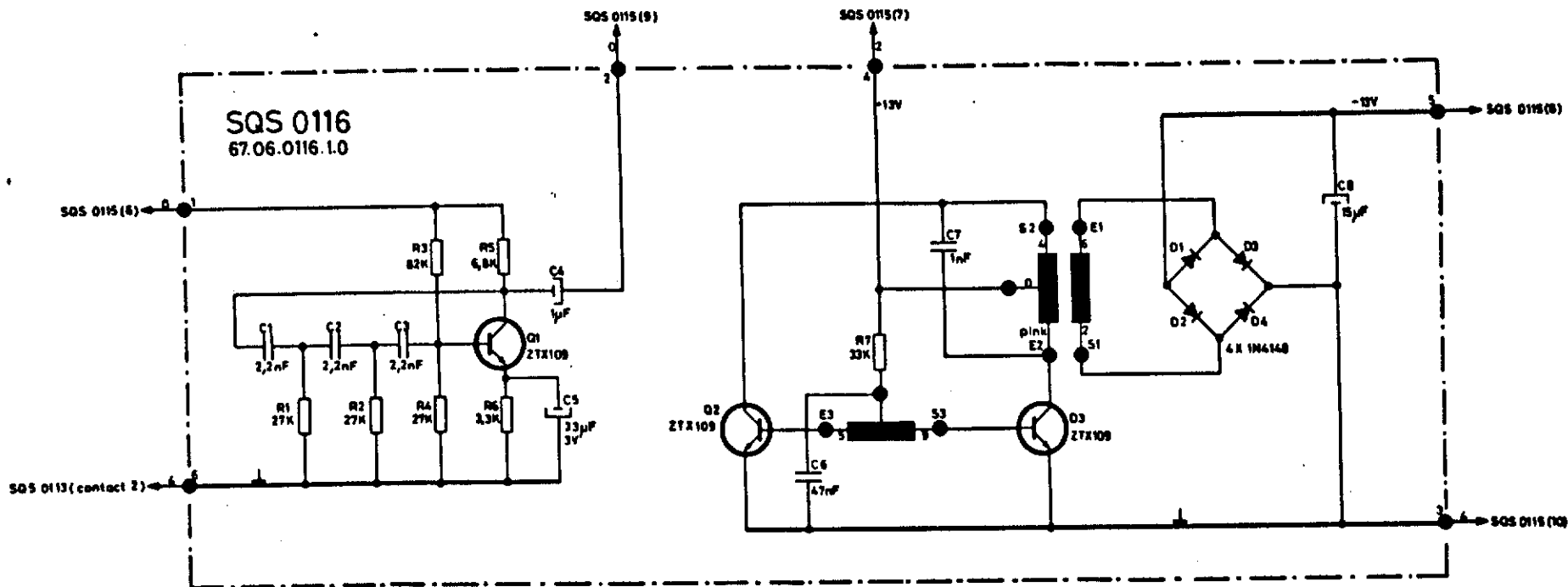


D1, D2 1N4148  
 IC1 MC 14027 CP  
 IC2 TL022 CP or 72L022 CP

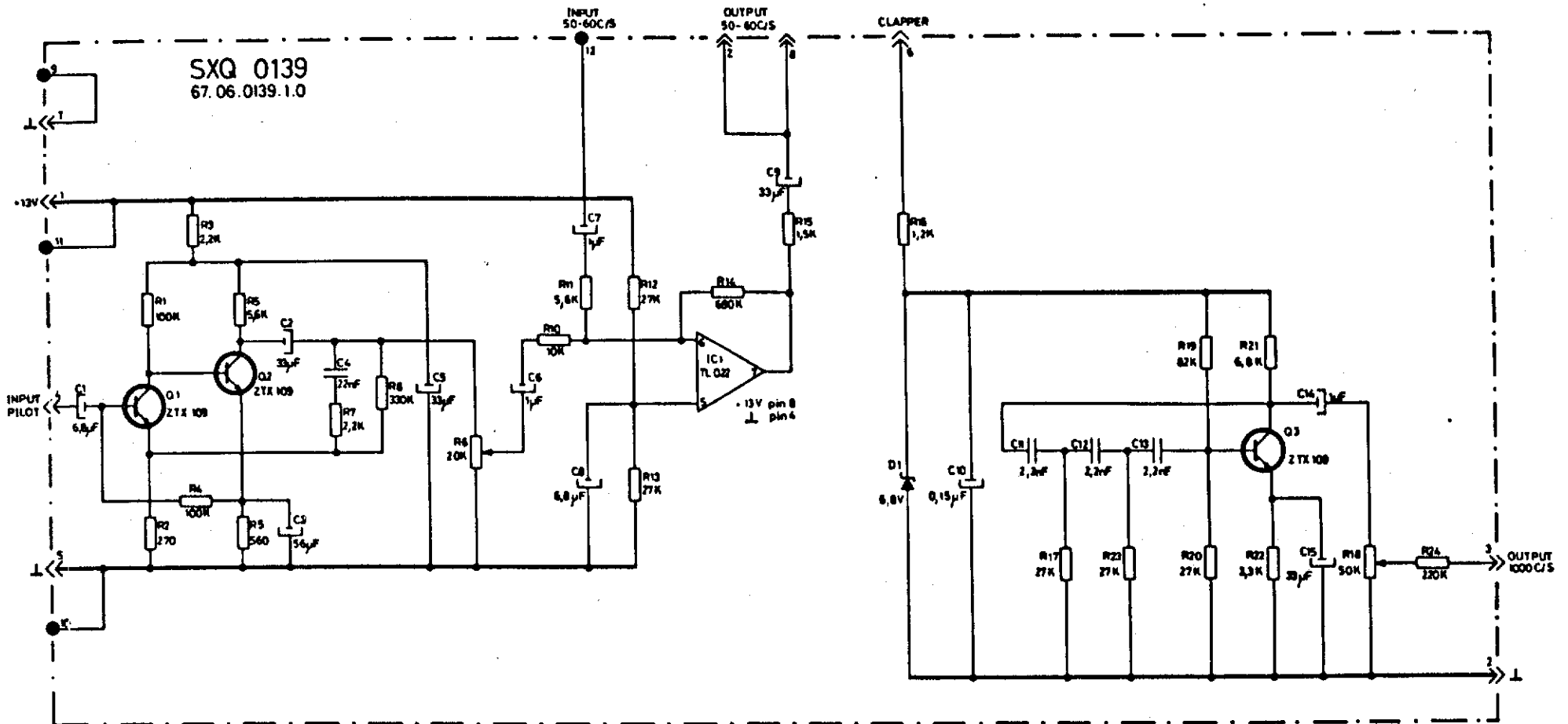
<b>SQS 0114</b> <b>COMPARATOR + DRIVER</b>		Modeller Echelle	Gerichtet Dessiné Construit Contrôlé Vu	14.5.99    	CF
<b>STELLAVOX</b>	Professional Audio and Data Equipments 2088 Neuchâtel Switzerland	<b>64.06.0114.1.0</b>			



<b>SQS 0115</b> <b>CRYSTAL GENERATOR • PLAYBACK AMPLI.</b>		Modèles Echelle	Caractéristiques Dessiné Copié Contrôlé MODIFIÉ Vu	1978 1978
<b>STELLAVOX</b>	Professional Audio and Data Equipments 2068 Hauteville Switzerland	<b>64.06.0115.1.0</b>		

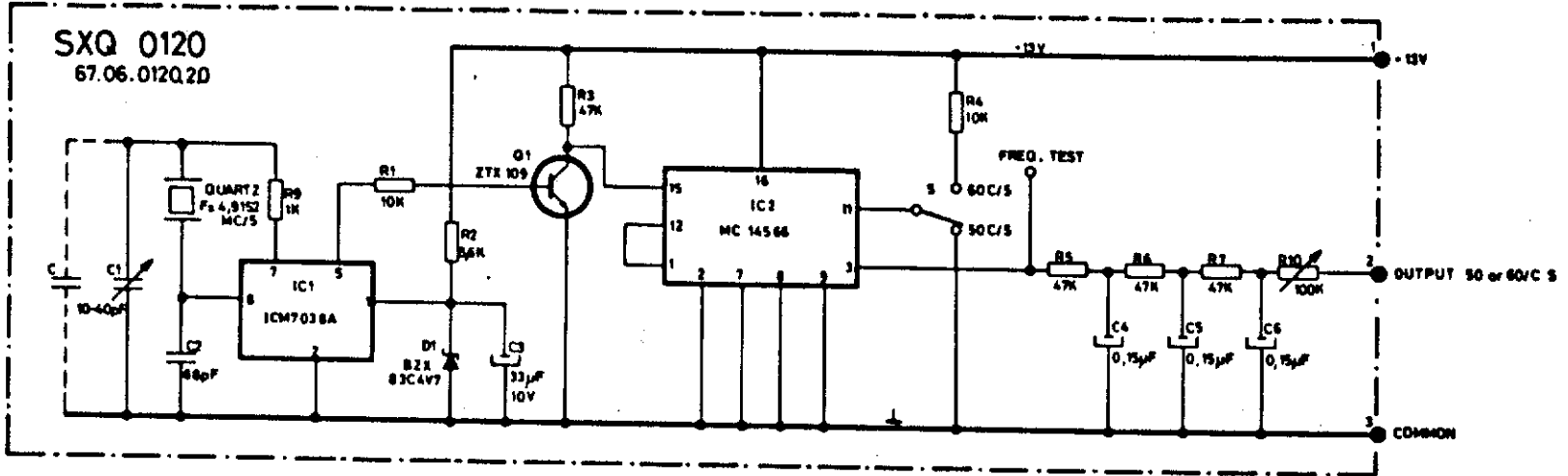


<b>SQS 0116</b> <b>BEEP OSCILLATOR + CONVERTER - 13V</b>		Maßstab	Gezeichnet	24.5.77	CF
		Skizze	Dessold		
<b>STELLAVOX</b> Professional Audio and Data Equipments 2068 Neuchâtel Switzerland		Geprüft			
		Vu			
				64.06.0116.1.0	



SXQ 0139  
67.06.0139.1.0

SXQ 0139			
PILOT AMPLIFIER AND CLAPPER			
Maßstab Echelle	Geschnitten Dessiné	C. F. 98	C.F.
	Geschnitten Contrôle		
	Gesehen Vu		
STELLAVOX		Professional Audio and Data Equipments 1068 Nauterive Switzerland	
		64.06.0139.1.0	



SXQ 0120 CRYSTAL OSCILLATOR		Maßstab 1:1	Gezeichnet D. Schmid	L. 10.97	C.F.
		Geprüft C. Schmid			
<b>STELLAVOX</b> Professional Audio and Data Equipments 2068 Hauterive Switzerland		Gelesen V. u.			
		64.06.0120.2.0			